

BRUSH ELECTRONICS

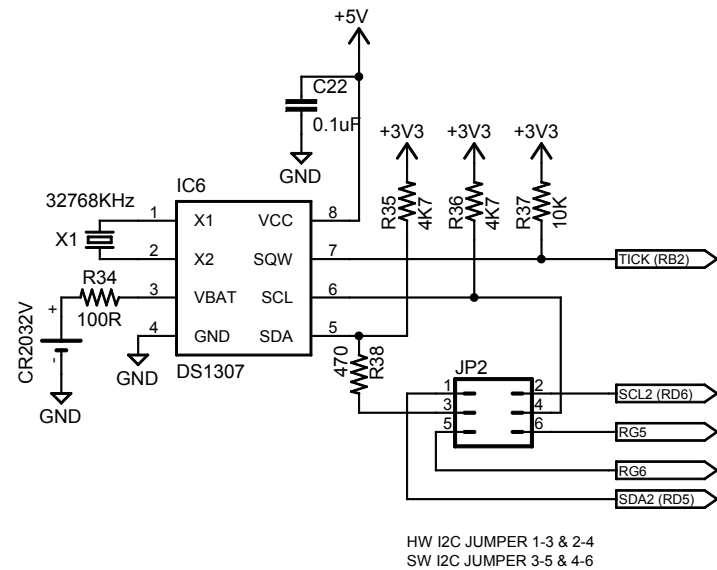
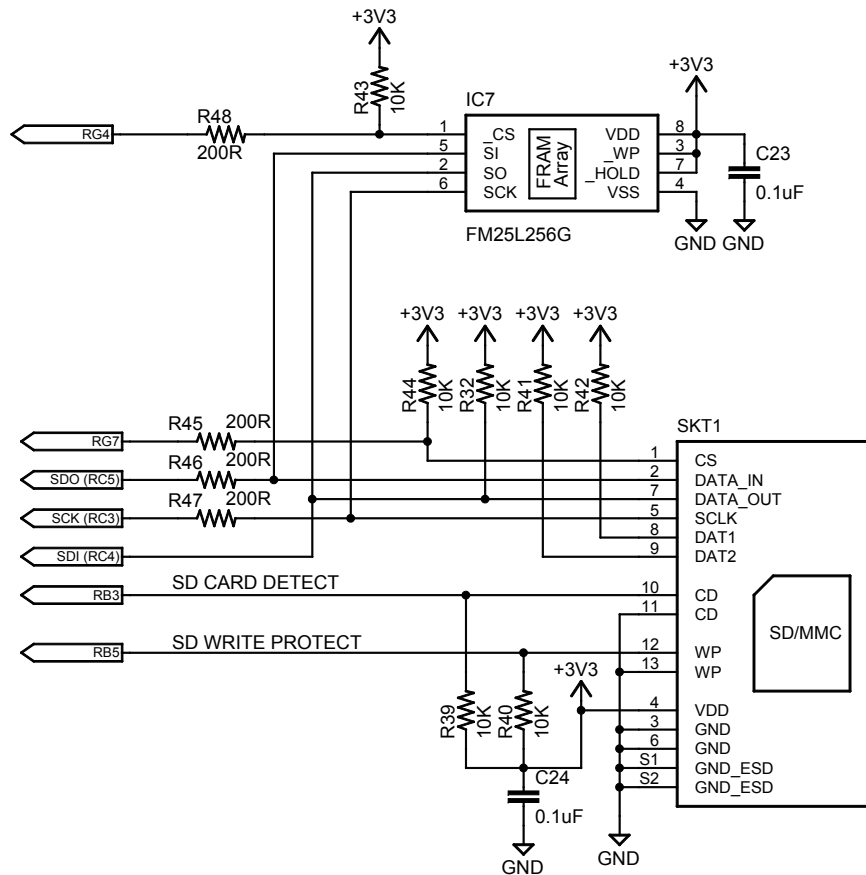
TITLE: EtherPIC

PIC18F97J60 Ethernet Development Board
(c) 2006 Andrew Smallridge

REV:
0.4

Date: 27/12/2006 10:46:28a

Sheet: 1/3



BRUSH ELECTRONICS

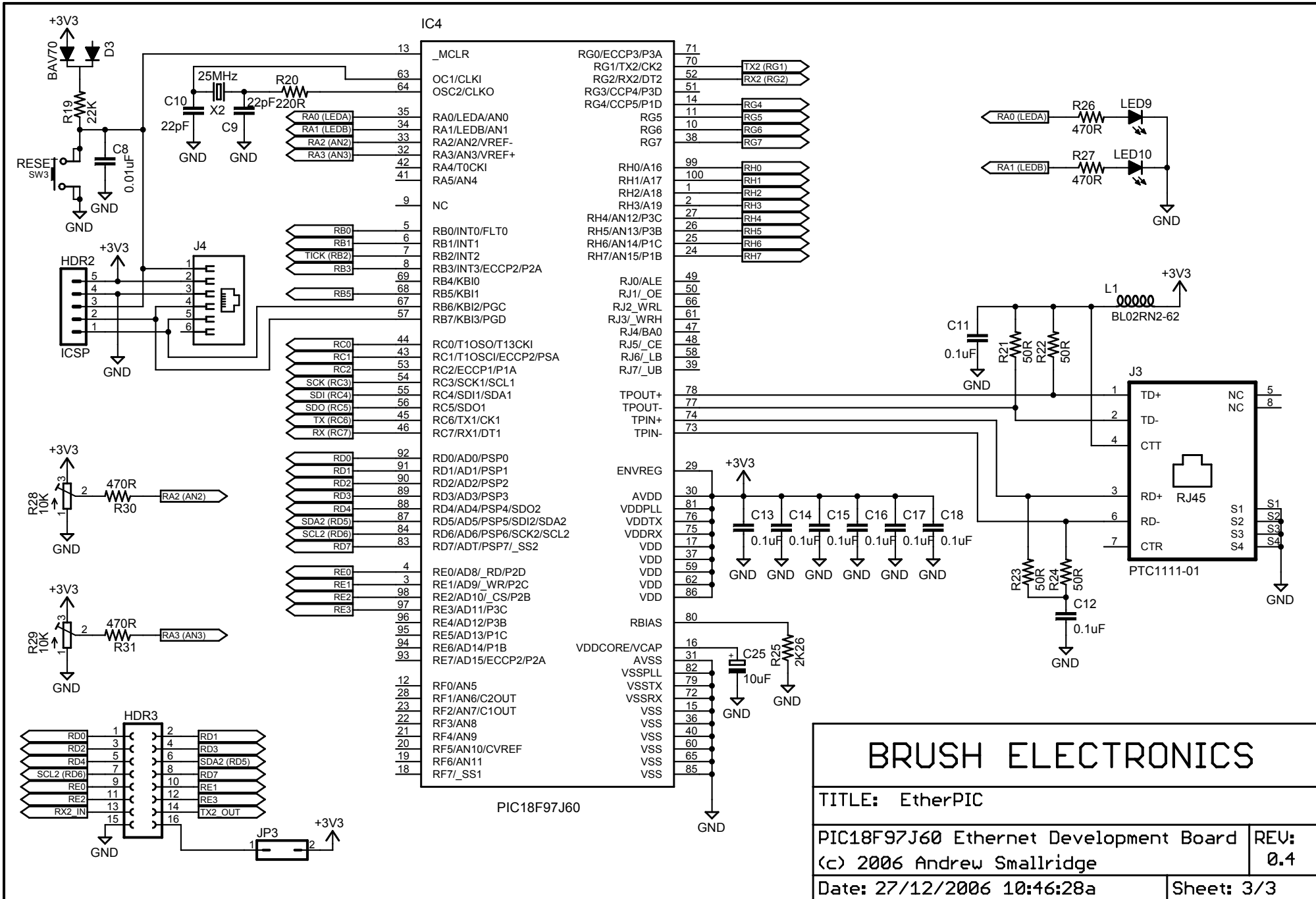
TITLE: EtherPIC

PIC18F97J60 Ethernet Development Board
 (c) 2006 Andrew Smallridge

REV:
0.4

Date: 27/12/2006 10:46:28a

Sheet: 2/3



BRUSH ELECTRONICS

TITLE: EtherPIC	
PIC18F97J60 Ethernet Development Board	REV: 0.4
(c) 2006 Andrew Smallridge	
Date: 27/12/2006 10:46:28a	Sheet: 3/3